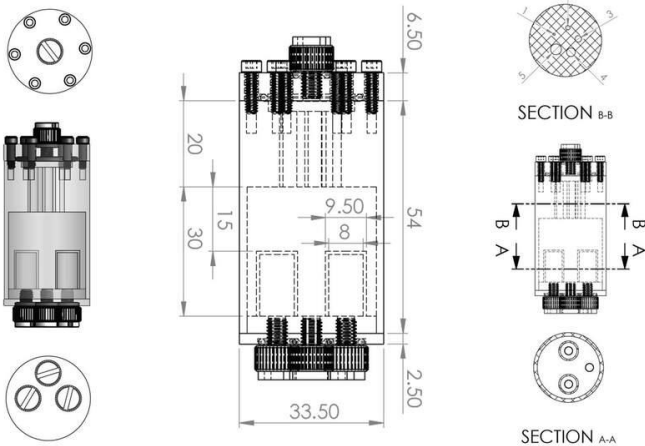
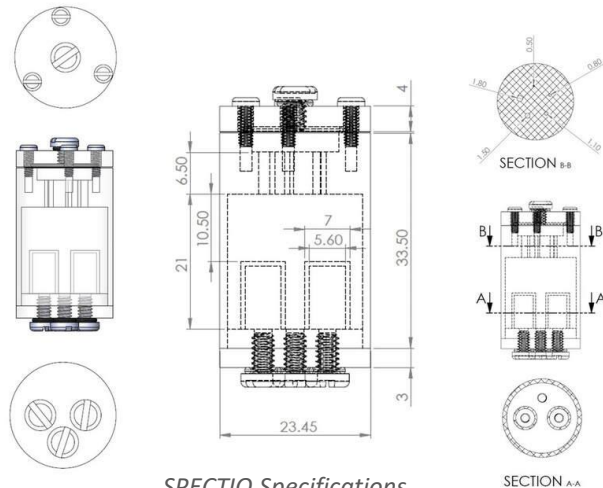


Phantech

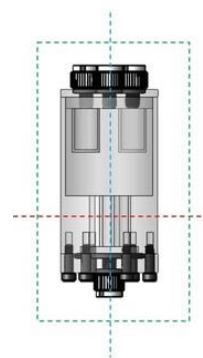
Phantech has economical phantoms that adhere to the National Electrical Manufacturers Association (NEMA) standards. Assembled with three main pieces and associated hardware, these standard NEMA phantoms are available in two configurations: NEMA NU4-2008 (NU4IQ) and SPECT-IQ (as detailed in E.P. Visser et al. 2011, Nuclear Instruments and Methods in Physics Research A). These standard phantoms feature three fillable regions that allow the assessment of PET or SPECT scanner image quality (IQ) by representing typical hot, cold and uniform radioactivity in an animal (see below for more info).



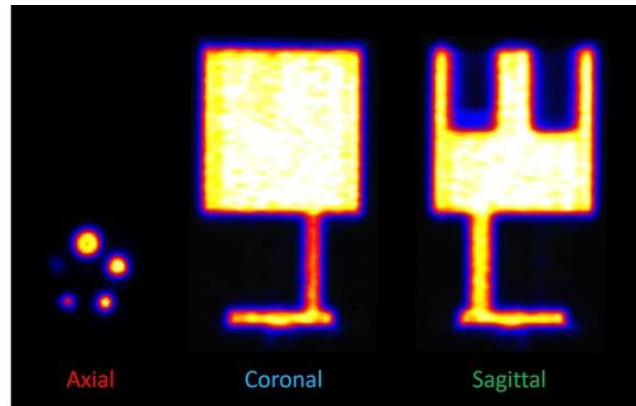
NU4IQ Specifications



SPECTIQ Specifications



^{18}F PET images of the NU4IQ phantom with slice orientation labeled (left).



NEMA STANDARD CALIBRATION PHANTOMS

FEATURES

- ✓ Compliant with NEMA standards
- ✓ Two configurations: NU 4-2008/SPECTIQ
- ✓ Customization possible
- ✓ 3D printed
- ✓ Easy to fill

INNOVATIVE HARDWARE AND SOFTWARE FOR MEDICAL IMAGING

For more information, including pricing, contact us today at:

Email: info@phantechmedical.com

Web: www.phantechmedical.com

Phantech LLC
Madison, WI, USA