

Phantech

Uniformity Phantoms *Technical Specifications*



INNOVATIVE HARDWARE AND SOFTWARE FOR MEDICAL IMAGING

Contact us today at:

Email: info@phantechmedical.com

Web: www.phantechmedical.com

Phantech LLC
Madison, WI, USA

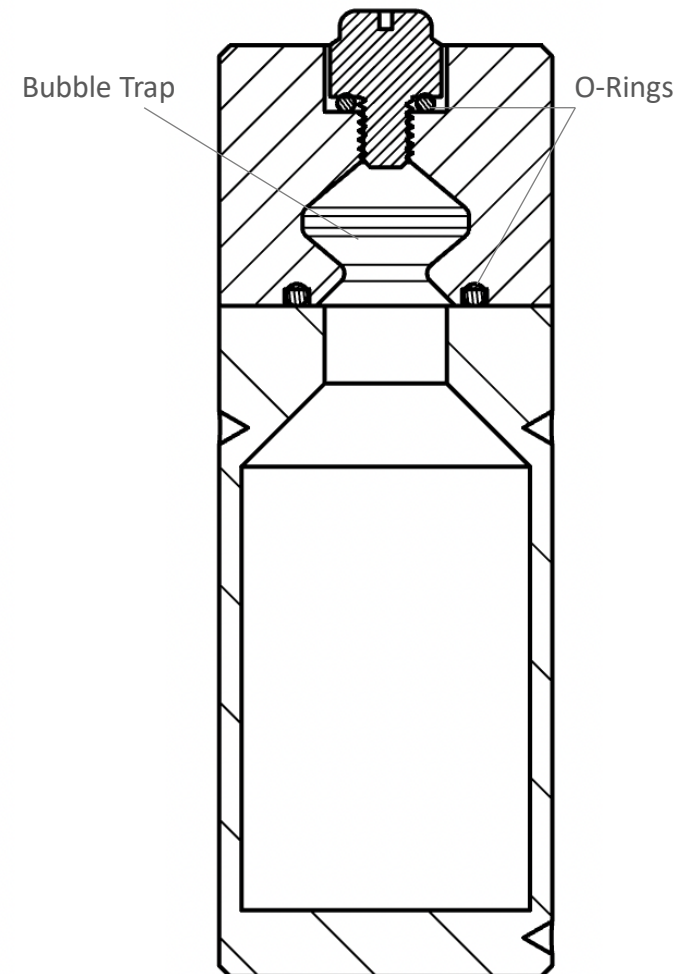
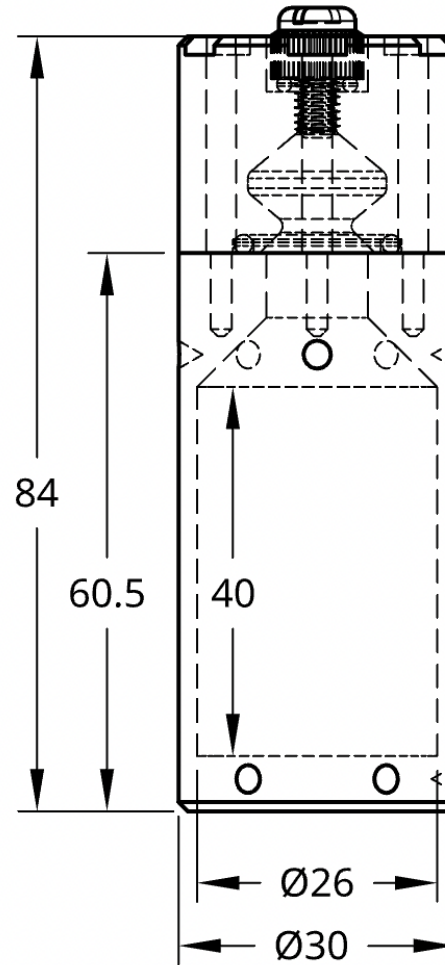
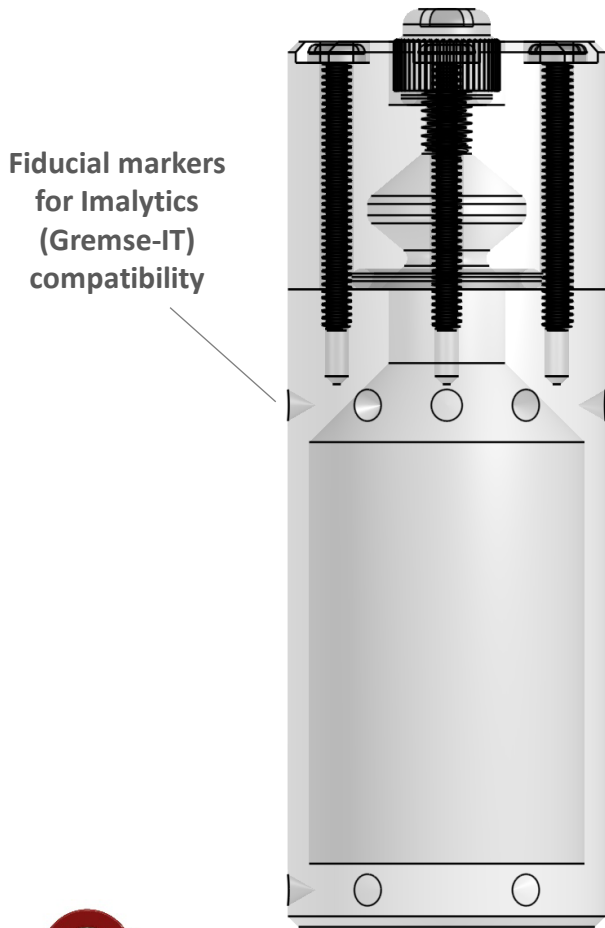
Product: Mouse Uniformity Phantom

Note:

All units are in mm unless otherwise noted.
This assembly consists of two custom 3D printed components and four separate pieces of commercial hardware for assembly.



Parts List		
Description	Quantity	Manufacturer
Phantom Top	1	N/A (Custom)
Phantom Bottom	1	N/A (Custom)
Large O-Ring	1	McMaster-Carr
Small O-Ring	1	McMaster-Carr
4-40 Nylon Screws	6	McMaster-Carr
10-32 Nylon Bolt	1	McMaster-Carr



Product: Rat Uniformity Phantom

Note:

All units are in mm unless otherwise noted.
This assembly consists of two custom 3D printed components and four separate pieces of commercial hardware for assembly.



Parts List		
Description	Quantity	Manufacturer
Phantom Top	1	N/A (Custom)
Phantom Bottom	1	N/A (Custom)
Large O-Ring	1	McMaster-Carr
Small O-Ring	1	McMaster-Carr
6-32 Nylon Screws	6	McMaster-Carr
10-32 Nylon Bolt	1	McMaster-Carr

